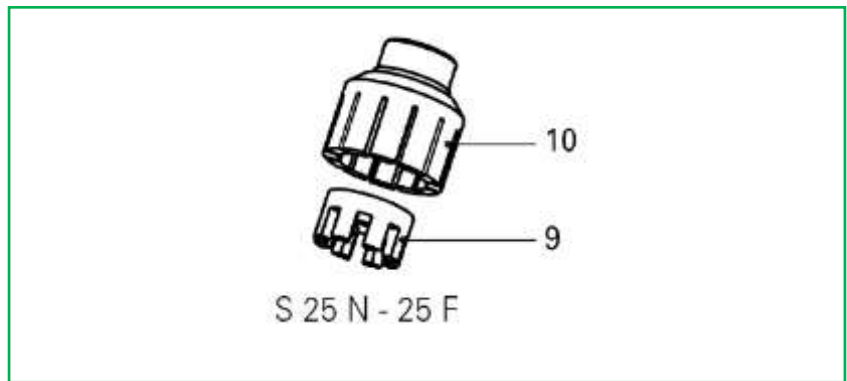




PRODUCT NO.: 7567



ROTOR, IKA

18mm Ø, For 100–2000mL Dispersing Element (8821–01)

DESCRIPTION: Replacement Rotor for the 100-2000mL Dispersing Element. To be replaced occasionally due to normal wear and tear. Rotor is part #9 from the product image.

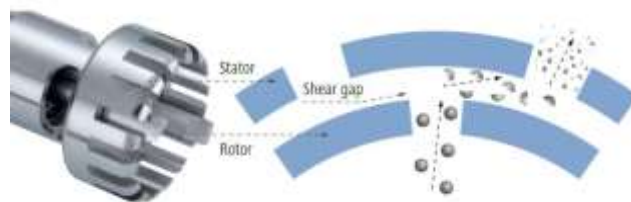
ADDITIONAL INFORMATION:

From Product Image:

9 – Rotor Diameter: 18 mm

10 – Stator Diameter: 25 mm

IKA® dispersing technology works by using the rotor-stator principle. The system consists of a rotor within a stationary stator. Due to the high circumferential speed, the medium to be processed is drawn axially into the dispersion head and then forced radially through the slots in the rotor-stator arrangement. The high speed and minimal gap between the rotor and stator produces extremely strong shear forces which results in better dispersion.



The variety of media to be processed also requires a variety of rotor-stator configurations and seals. In many cases it is necessary to use subsequently two dispersing elements, for pre-crushing and fine crushing. The plug-in connectors facilitate the exchange of the dispersing elements.