

## Filling Instructions

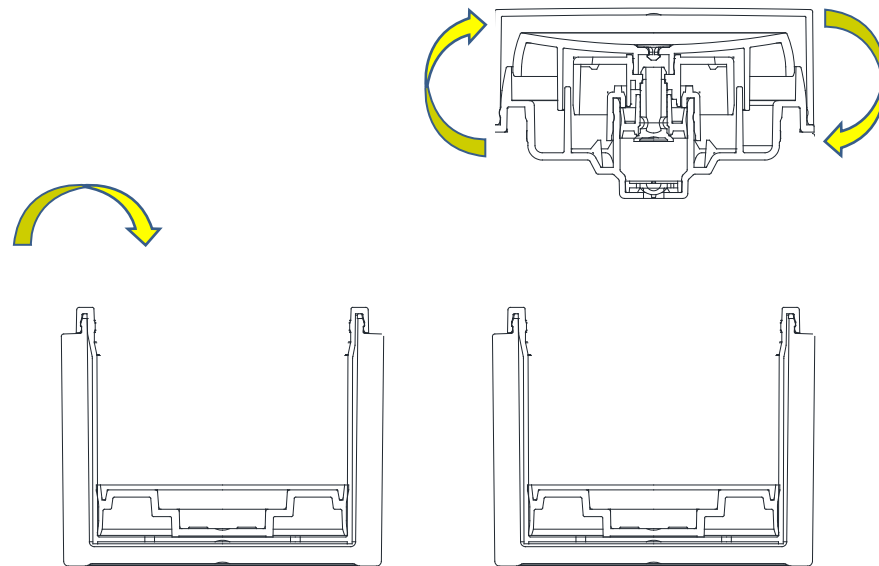


TO FILL :

TO USE :

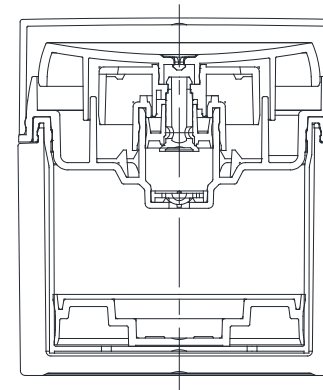
To minimize air entrapment and ensure proper function:

- Tap the dispenser multiple times while filling to flatten the cream and evacuate air.

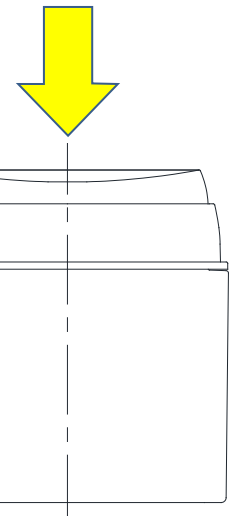


1. Fill cartridge

2. Screw-on actuator



3. The jar is ready for use



4. Press to dispense  
(may require a few pumps to prime)



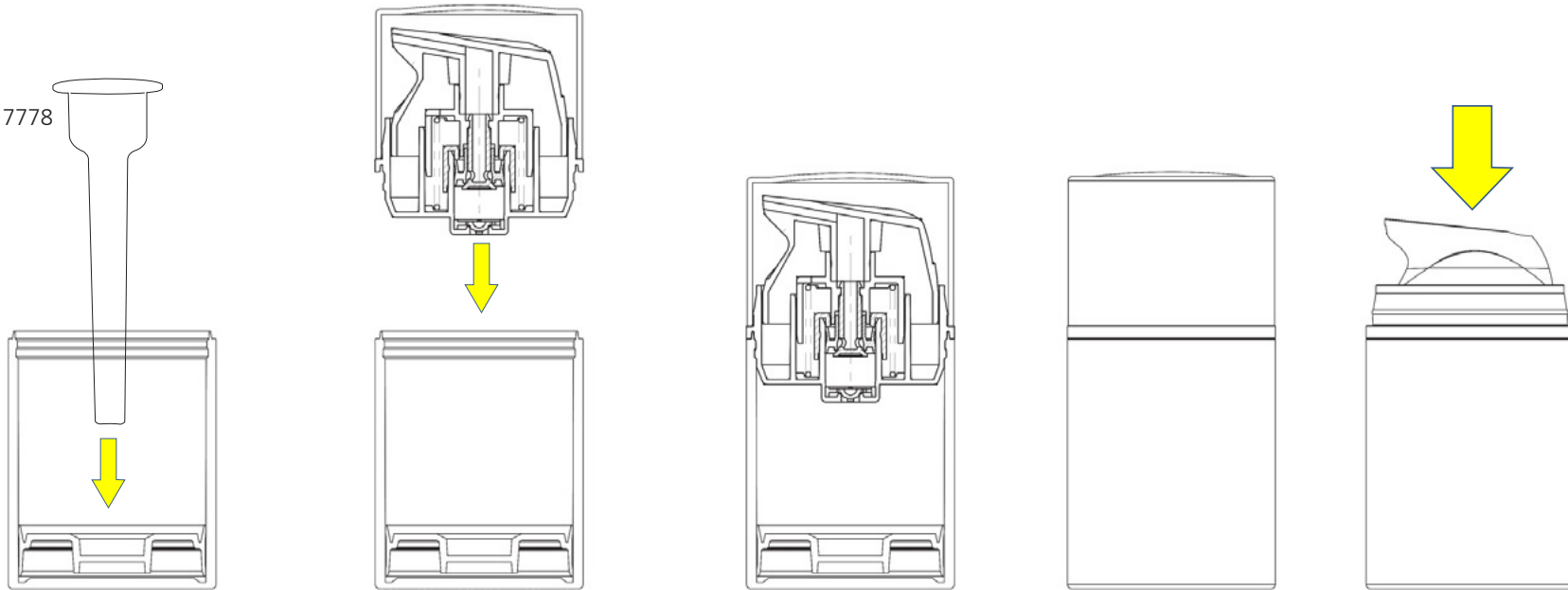
## TO FILL :

## TO USE :

Product Number | 7778

### To minimize air entrapment and ensure proper function:

- Use a nozzle to fill from the bottom up;
- Tap the dispenser multiple times while filling to flatten the cream and evacuate air.



1. Fill bottle

2. Snap on actuator, making sure there is no gap between the actuator and the bottle

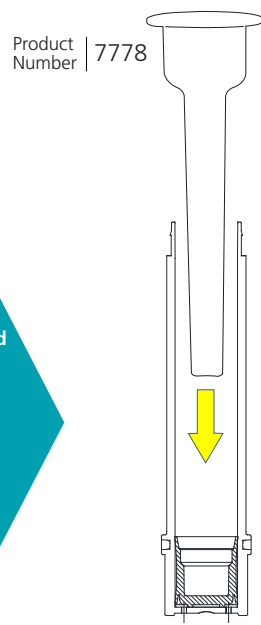
3. The pump is ready for use

4. Press to dispense (may require a few pumps to prime)

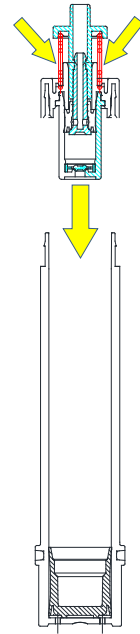


TO FILL :

TO USE :



1. Fill cartridge



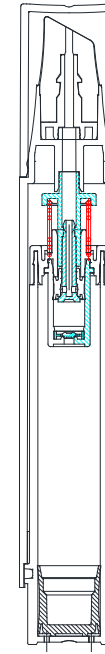
2. Snap actuator onto cartridge by only pressing on the outer collar. Avoid compressing the spring. Ensure there is no gap between the actuator and the cartridge



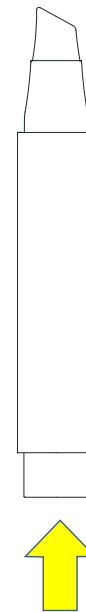
3. Align tabs and insert cartridge into housing



4. Make sure the cartridge is twisted to the lock position - the pen is ready for use



5. Twist to unlock



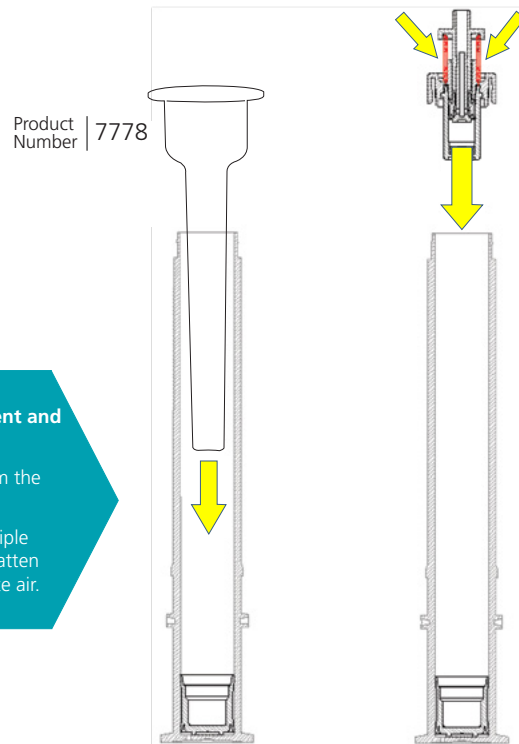
6. Press to dispense (may require a few pumps to prime)

To minimize air entrapment and ensure proper function:

- Use a nozzle to fill from the bottom up;
- Tap the dispenser multiple times while filling to flatten the cream and evacuate air.



## TO FILL :



Product Number | 7778

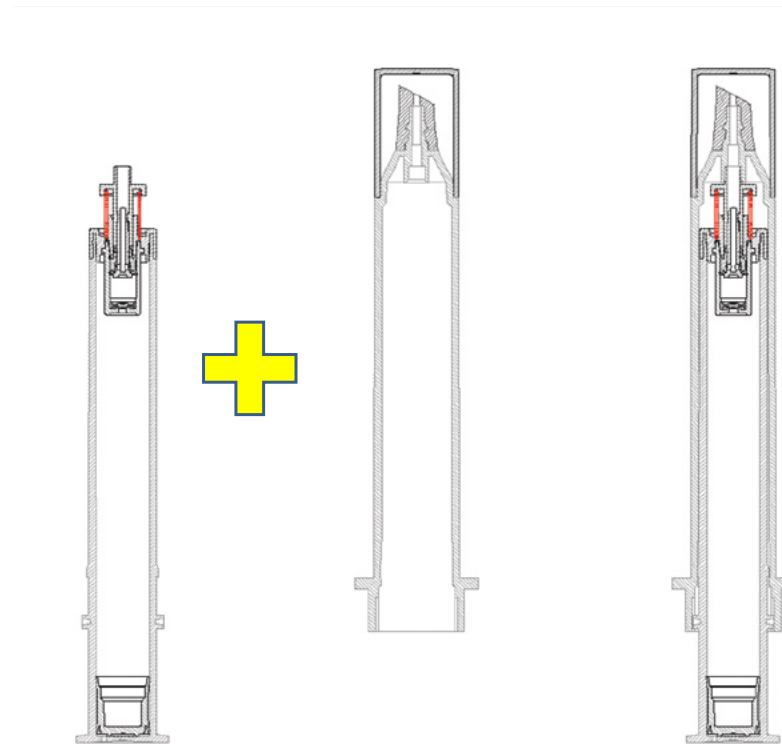
### To minimize air entrapment and ensure proper function:

- Use a nozzle to fill from the bottom up;
- Tap the dispenser multiple times while filling to flatten the cream and evacuate air.

1. Fill cartridge

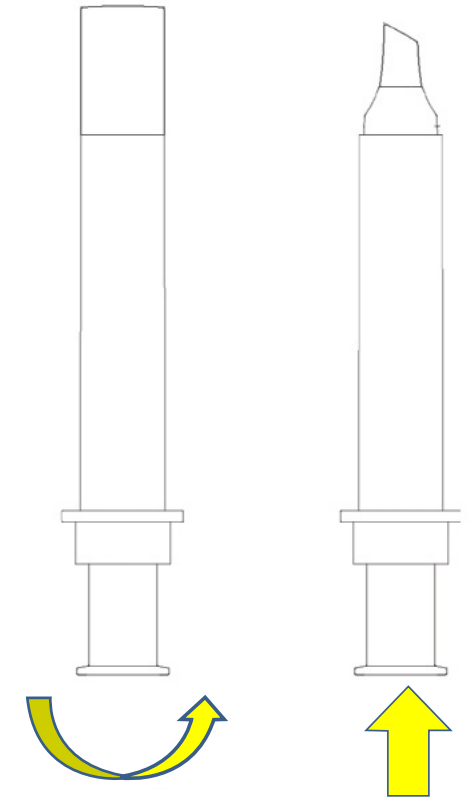
2. Snap actuator onto cartridge by only pressing on the outer collar. Avoid compressing the spring. Ensure there is no gap between the actuator and the cartridge

## TO USE :



3. Align tabs and insert cartridge into housing

4. Make sure the cartridge is twisted to the lock position - the syringe is ready for use



5. Twist to unlock

6. Press to dispense (may require a few pumps to prime)

