

Put the power
INTO YOUR OWN HANDS

"Your equipment has been particularly helpful in the making of progesterone capsules, which usually have a lot of static and is difficult to mix in a mortar. Thank you for providing such high quality service, you have been a big help to my business!"

- Compounding Pharmacist, Tampa, Florida



**EQUIPMENT &
DEVICES**

Inversina Manual Mixer



The **Manual Inversina** provides a time-efficient and cost-effective method for powder and liquid mixing. The oloid rotary mechanism produces a uniform blend of ingredients for a wide range of pharmaceutical drugs and APIs, ensuring excellent homogeneity to facilitate laborious processes like geometric addition. Having a capacity of up to 2 litres, this tumbler is an efficient piece of equipment for medium-sized batch mixing and can fit compactly on a compounder's laboratory bench top.

FEATURES & BENEFITS

- Offers simple, rapid and increased mixing efficiency by hand
- Provides excellent homogeneity of both powder and liquid mixtures
- Ideal for mixing particles of different density, shape or quantity
- Standard 1.5 L or 2.0 L PET containers available
- The brush insert allows for mixing in smaller containers of various shapes
- Can be clamped to the table or screwed to a wall
- Comes with a 1.5 L PET container, 1.5 L rubber bands, and a set of clamps
- Durable Swiss steel design, yet portable, light and compact

CALL NOW OR VISIT OUR WEBSITE TO PLACE AN ORDER

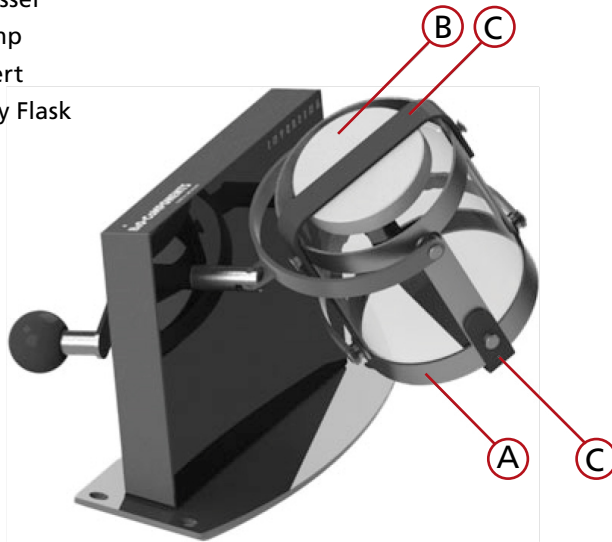
Inversina Manual Mixer System



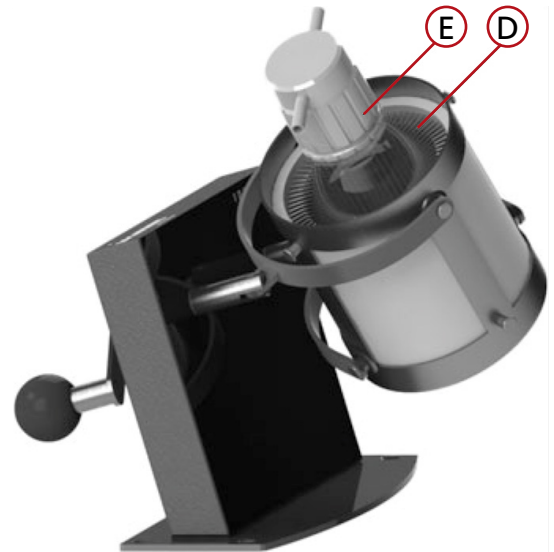
FEATURES

- A) Mixer Cage
- B) Mixing Vessel
- C) Band Clamp
- D) Brush Insert
- E) Laboratory Flask

LOADING WITH BAND CLAMP



LOADING WITH BRUSH INSERT



TECHNICAL DATA

LENGTH / WIDTH / HEIGHT	350 / 290 / 260 mm	13.8 / 11.4 / 10.2 inch
TOTAL WEIGHT	~ 8.7 kg	~ 19.2 lb
EMPTY WEIGHT	~ 4.7 kg	~ 10.4 lb
MAX. FILLING WEIGHT	~ 4.0 kg	~ 8.8 lb
MAX. FILLING DEGREE	~ 75 %	~ 75 %
MIXING VESSEL (PET)		
1.5 L	ø120 mm x H 165 mm	ø 4.72 inch x H 6.5 inch
2 L	ø120 mm x H 210 mm	ø 4.72 inch x H 8.26 inch

(Subject to technical modification)



Microscopic view of Lactose and Dyed Corn Starch at 60 seconds (40x magnitude)

DISCLAIMER : All information presented here, including specifications and suggested uses, are those of the manufacturer of each specific item/device/product. Any representations, warranties or liability for the products are solely those of the manufacturer. MEDISCA makes no representations and takes no responsibility for the functioning or suitability, or clinical or therapeutic use of the item/device/product with or without active ingredients. The pharmacist is hereby advised to use this product in accordance with a licensed prescriber's prescription. MEDISCA cannot be held liable to any person or entity concerning claims, loss, or damage caused by, or alleged to be caused by the use or misuse of the information contained in this suggested product information sheet.

CALL NOW OR VISIT OUR WEBSITE TO PLACE AN ORDER



1.800.665.6334

WWW.MEDISCA.COM

1.800.932.1039

