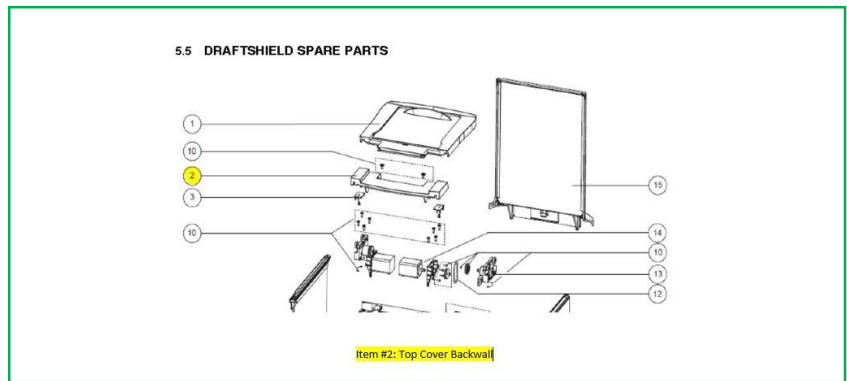




**MEDISCA**<sup>®</sup>  
YOUR TRUSTED PARTNER IN COMPOUNDING

**PRODUCT NO.: 6868**



## **DRAFT SHIELD TOP COVER BACKWALL** For Ohaus Explorer Series Balances

**DESCRIPTION:** This is a replacement part for the Draft Shield Top Cover backwall.

**NOTE:** When a part is replaced, the balance must be thoroughly checked after the replacement is made. The balance must meet the parameters of all applicable specifications.